

## Features

- Universal input 90~264V AC
- Direct UK Fixed Plugtop Adapters
- Approved to UKCA, CE, RoHS & REACH
- EN/IEC 62368-1 Safety Approved
- Meets Efficiency Level VI & (EU) 2019/1782
- EMC Class B Certified
- Single Output 5~12V DC
- OVP, OCP, OTP, SCP



Ideal Power's 15DYS812-xyW-3 12W AC/DC External Adapter UK Plugtop Power Supply (PSU) Series are certified to UKCA, CE, RoHS, REACH & EN 62368-1/IEC 62368-1 Standards and comply with (EU) 2019/1782, Level VI Efficiency Regulations. These are primarily used in ITE, Audio & Video Industries and customised solutions are available upon request.

### Models

Model Number	Output Voltage V DC	Output Current A	Output Power W	Efficiency %
15DYS812-050210W-3-2.5	5	2.1	10.5	79.04
15DYS812-120100W-3-2.5	12	1	12	82.96

### Input Data

	Notes	Min	Typical	Max	Units
Input Voltage	100-240VAC +/- 10%	90	--	264	V AC
Input Frequency	50-60Hz +/- 5%	47	--	63	Hz
Input Current		--	0.35	--	A
Inrush Current	At cold start, 100 / 240V AC	0	--	60	A
Leakage Current		--	--	0.25	mA

### Output Data

	Notes	Min	Typical	Max	Units
Output Voltage		--	5%	--	%
Ripple & Noise		--	150	--	mVp-p
Over Current Protection		Over Current Point Limited >1.2A			
Short Circuit Protection		Continuous short circuit proof. Will recover if fault condition is removed			
Over Voltage Protection		Will recover if fault condition is removed			

**Environmental Data**

	Notes	Min	Typical	Max	Units
Operating Temperature		0	--	+45	°C
Storage Temperature		-20	--	+80	°C
Operating Humidity		10	--	90	°C
Operating Humidity		5	--	95	°C

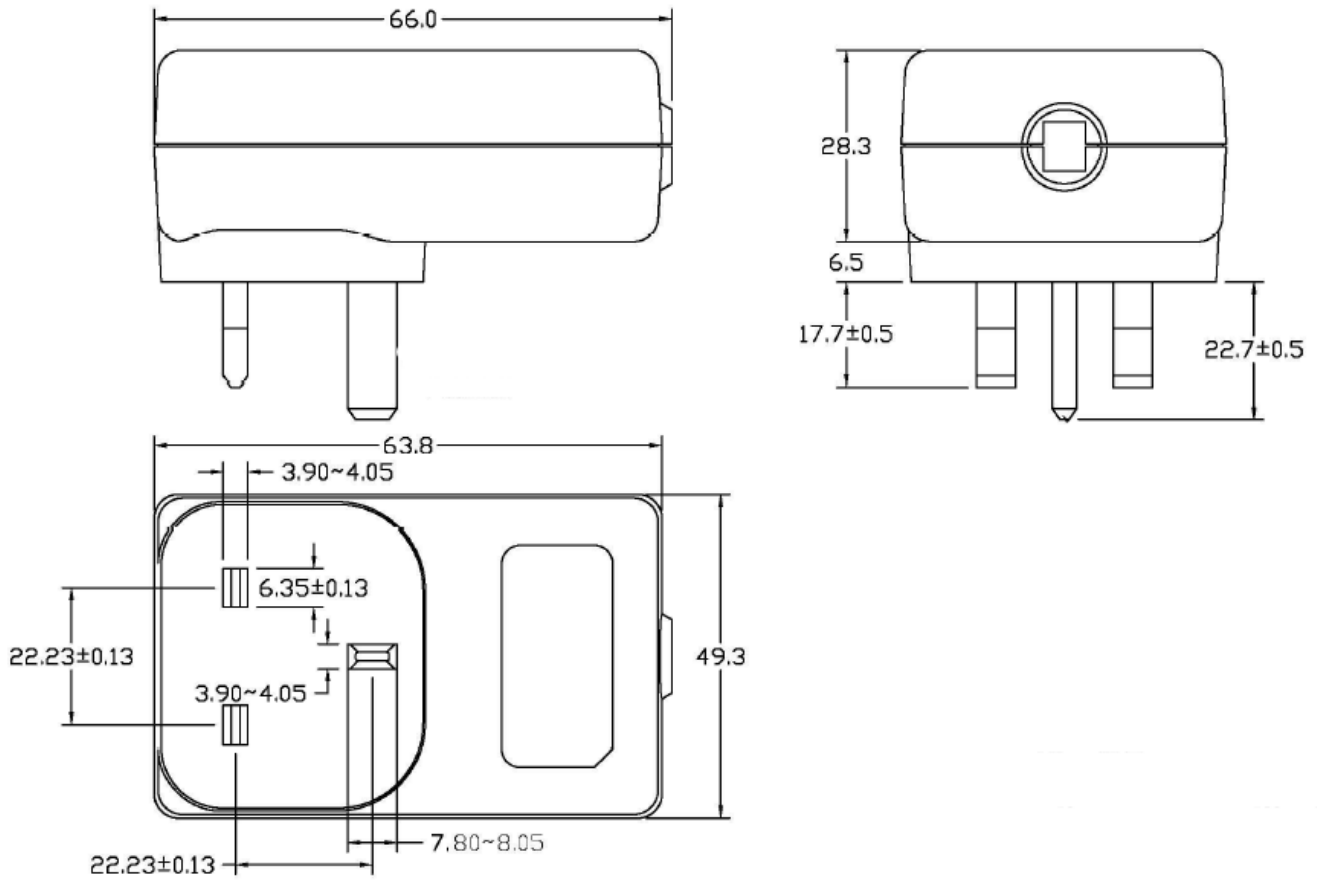
**Other Information**

	Notes	Min	Typical	Max	Units
Insulation Resistance	@ primary to secondary add 500Vdc test voltage	50	--	--	MΩ
MTBF	@ 25°C, Full load, and nominal input connection	--	50,000	--	hrs
Dielectric Strength	Primary to Secondary: 4242VDC / 5mA Max / 60second (3 seconds for mass production)				
Dimensions	66x49.3x52.5mm				

**EMC Immunity (2014/30/EU)**

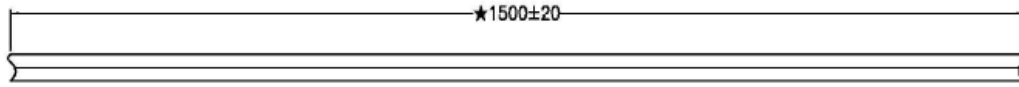
	Standard	Test Level	Criteria	Notes
EMS	EN 55035			
ESD	IEC 61000-4-2		B	Contact: +/- 4KV; Air: +/- 8KV
EFT	IEC 61000-4-4		A/B	0.5/1.0KV on input AC power ports
Surge	IEC 61000-4-5		A	Line to Line: +/- 1KV (peak); Line to F.G: +/- 2KV (peak)

Mechanical Drawing



AC – DC

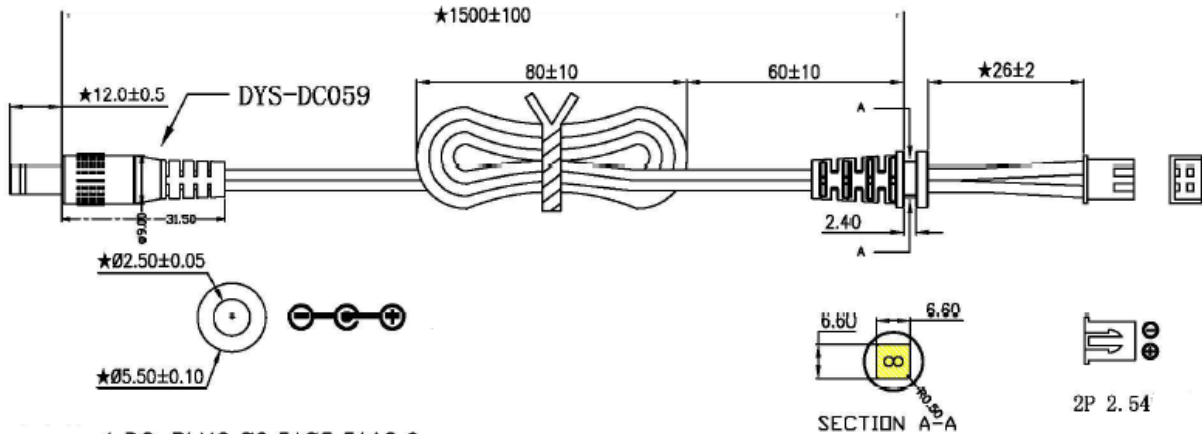
Cable Drawing



1. UL 2468 24AWG

5Kg SR不脱落. DC线本体至少承受10Kg的拉力.

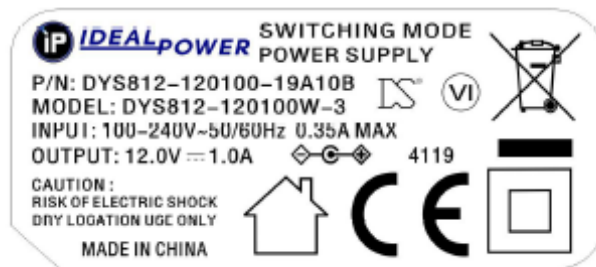
荷重200g 120° 角, 45回/分钟2000次Min



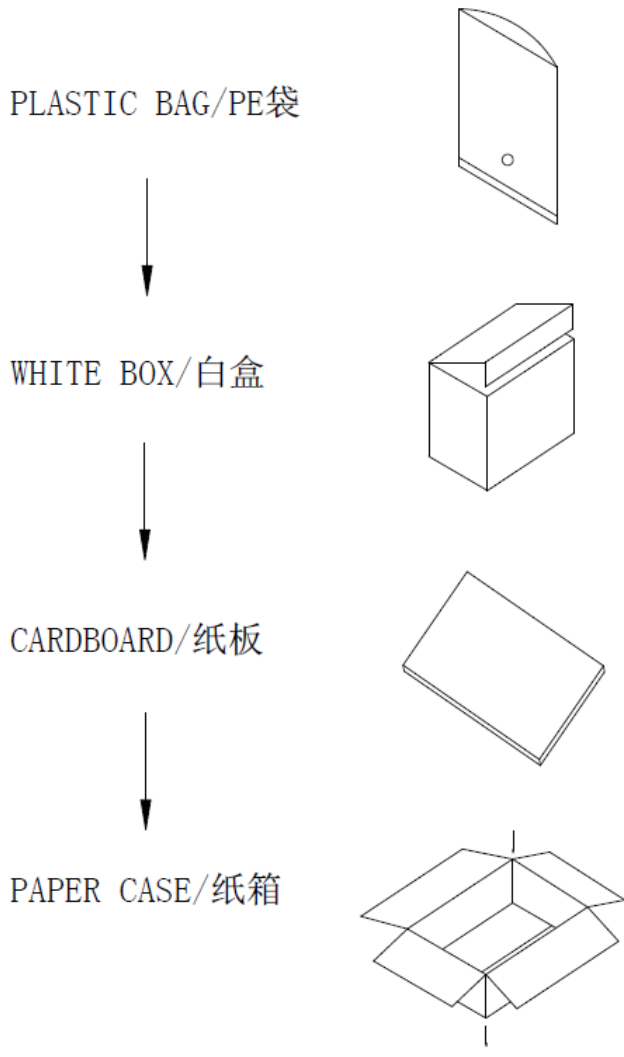
1,DC PLUG:Ø2.5\*Ø5.5\*12.0

2,SR SIZE:6.6\*6.6\*2.4

Label / Markings



Packaging



MECHANICAL DIMENSION:

	L(mm)	W(mm)	H(mm)
PLASTIC BAG	210	130	
WHITE BOX	90.5	53.5	75.5
CARDBOARD	380	285	
PAPER CASE	390	295	330

PACKING METHOD:

PACKING METHOD	20PCS/LAYER *4LAYERS
QTY	80PCS
N.W	8.0Kg
G.W	9.5Kg